

## Modulo Led 220V 3smd 28x35 1.6W 6500K IP67



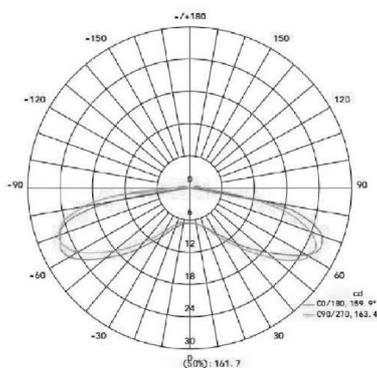
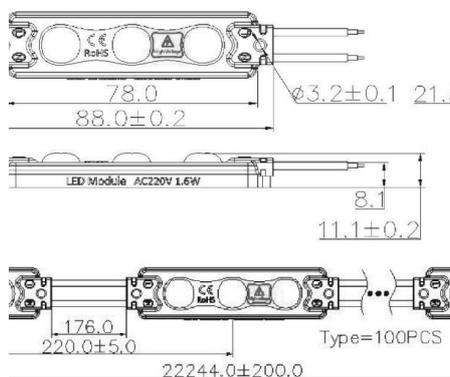
Power

1.6W

Light color

CE

RoHS



## Especificaciones técnicas

Catalog number	4564
Beam angle	160°
Brand	Optonica
Power	1.6W
Power Factor	0.9
Flux	145 Lm

Input voltage	AC220-264V
IP	67
Temperature	-25°C+60°C
Warranty	5 Years
Size of product	15x65 mm
Weight of Product	8.75 gr.